

ENERGY STORAGE LITHIUM BATTERY SHEET METAL SHELL

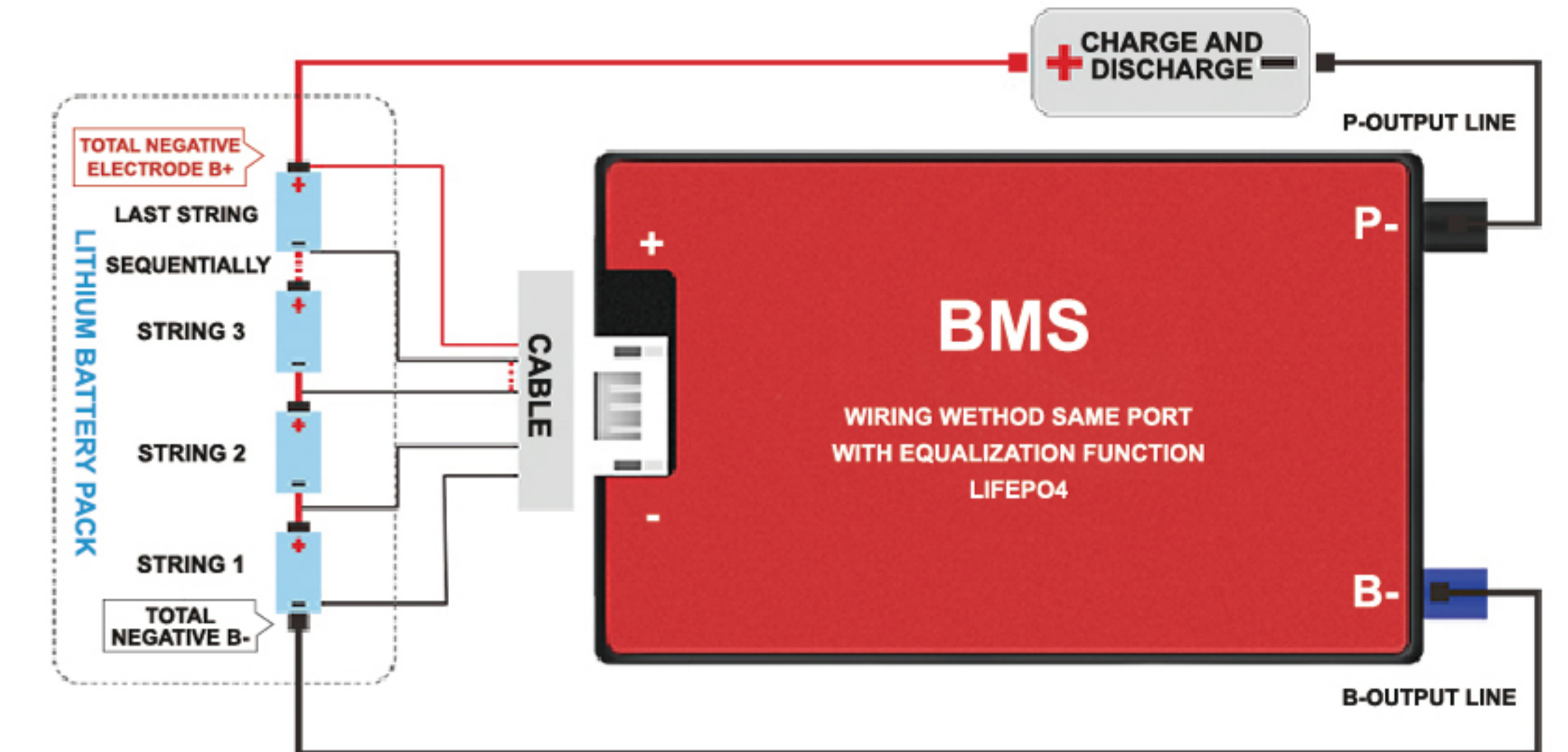
SPECIALIZED FOR SOLAR PV POWER SYSTEM

RG-SBS SERIES



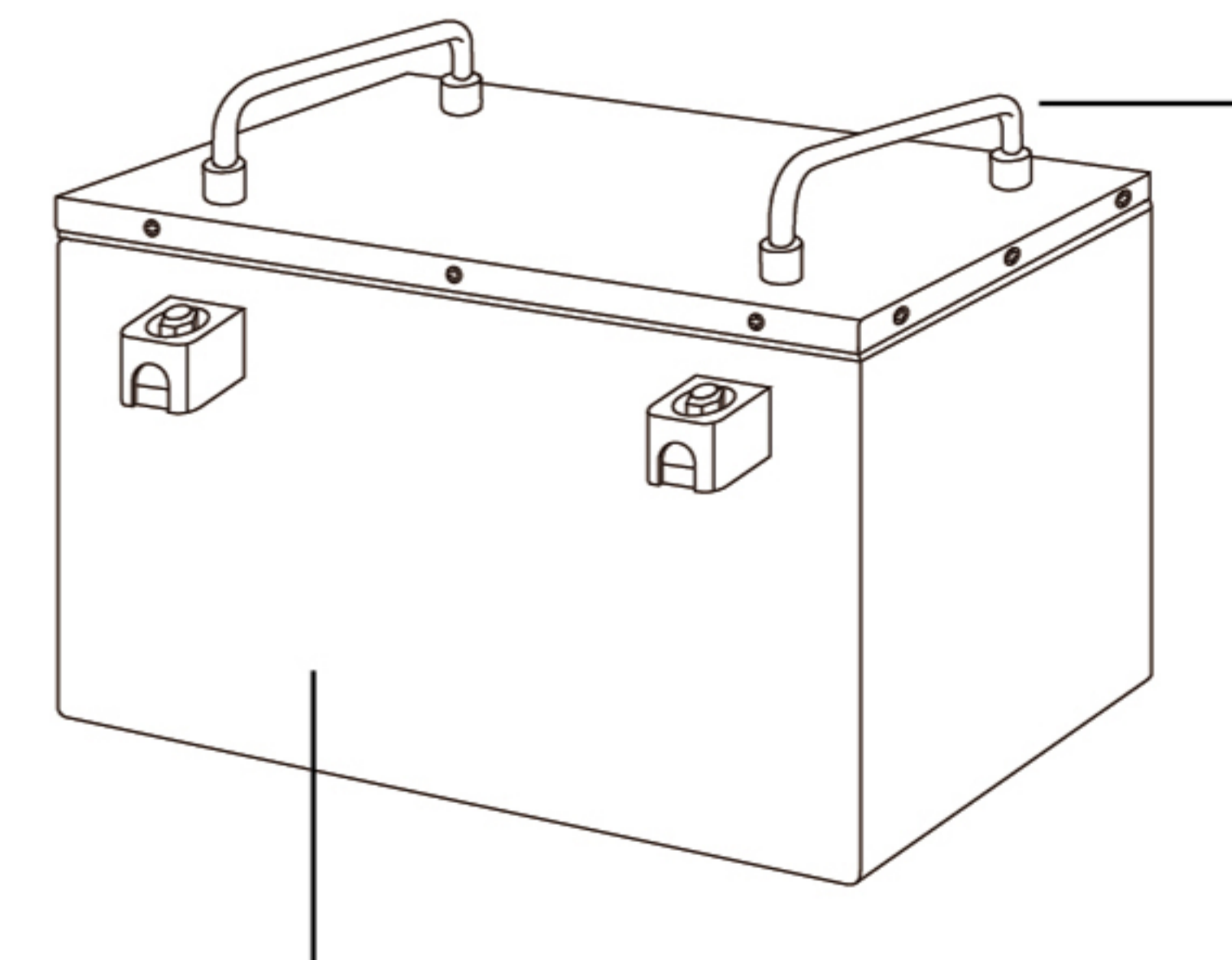
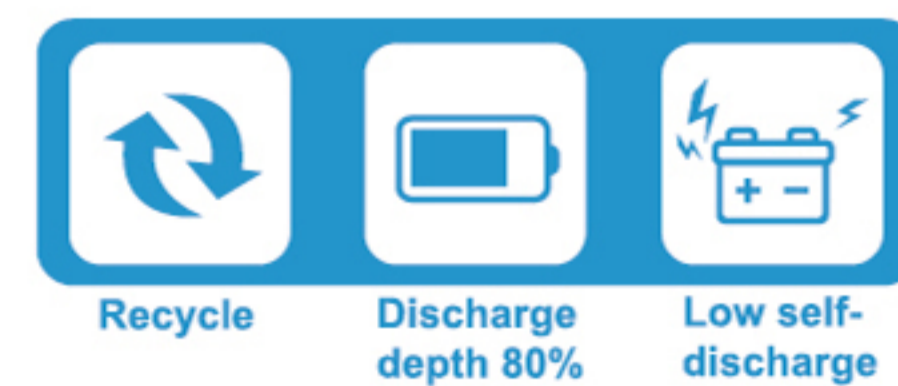
BMS PROTECTION BOARD

- ※ Temperature protection
- ※ Over discharge protection
- ※ Over charge protection
- ※ Over current protection
- ※ Balanced protection
- ※ Weak current switch
- ※ Electrostatic protection
- ※ High quality chip
- ※ GPS



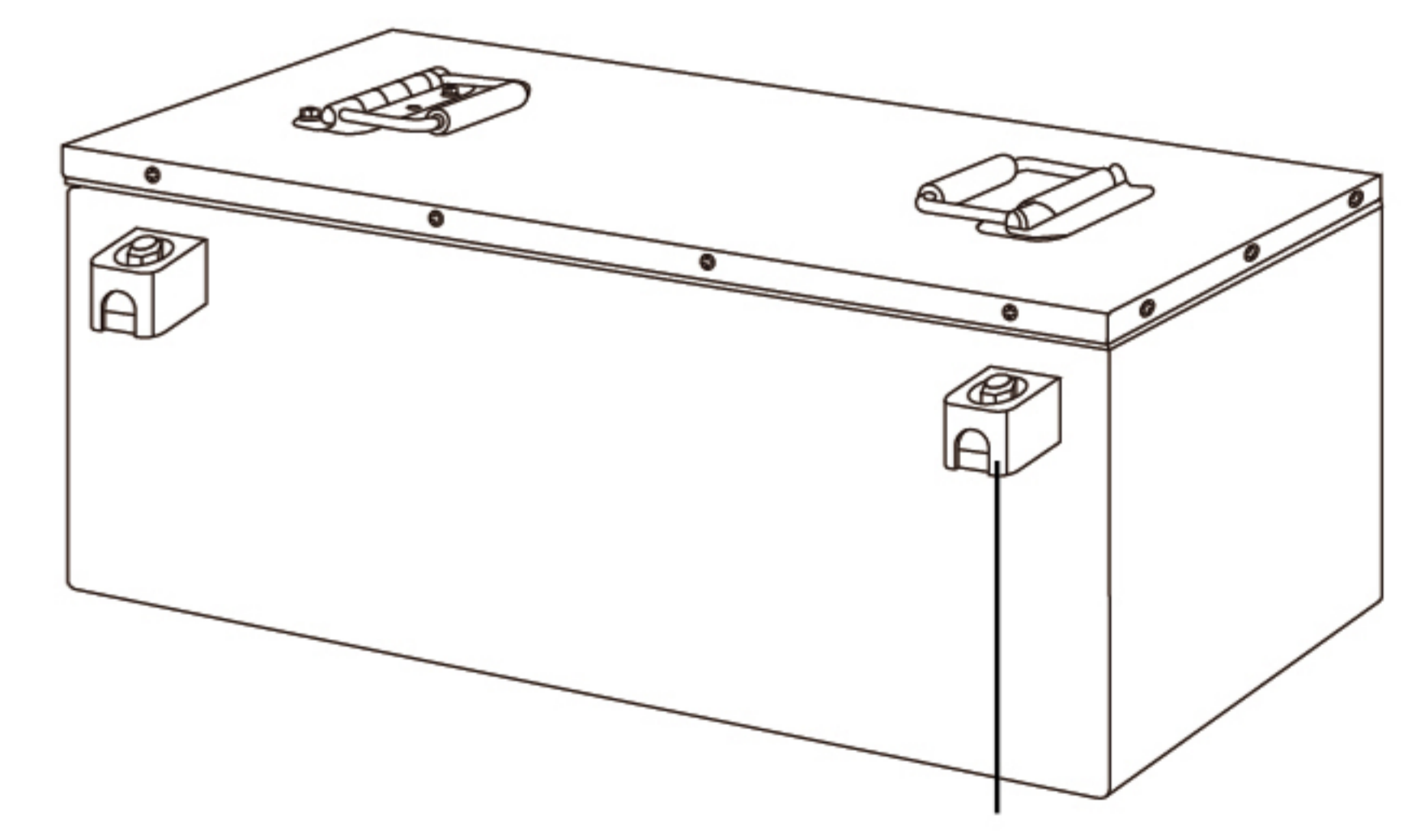
Model	RG-SBS-10012	RG-SBS-20012	RG-SBS-30012	RG-SBS-10024	RG-SBS-10048
Capacity	12V100AH	12V200AH	12V300AH	24V100AH	48V100AH
Continuous Discharge Current	50A	100A	150A	50A	50A
Peak Protection Current	100A	200A	300A	100A	100A
Working Voltage	10-14.6V	10-14.6V	20-29.2V	37.5-54.75V	10-14.6V
Standard Voltage	12.8V	12.8V	25.6V	48V	12.8V
Continuous Work Current	50A	100A	150A	50A	50A
Max Charging Voltage	14.6V	14.6V	29.2V	14.6V	54.75V
Suggested DOD Model	80%	80%	80%	80%	80%
Size(mm)	280*255*195	400*295*195	440*365*195	400*295*195	450*435*195
Weight	12.5kg	22.8kg	33.3kg	22.8kg	40kg
Humidity	≤85%				
Cooling Type	Natural Cooling				
Warranty	10 years				

HIGH-QUALITY CELLS/LONGER LIFE
CELL/CYCLE TIMES CUSTOMIZATION



SHEET METAL ENCLOSURE

- Strong heat dissipation
- Exquisite appearance
- Effective protection of battery cells



CONVENIENT PORTABLE

- Easy to move
- Solid and durable
- Folding handle

PURE COPPER TERMINAL

- Pure copper silver plated
- Good conductivity
- High current output